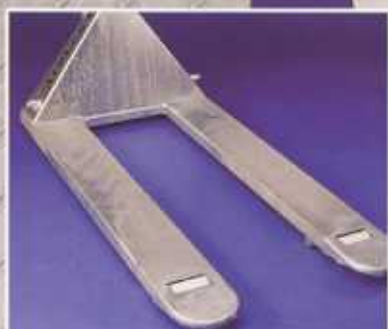


PALLET TRUCK  
**FREEZER SPECIAL**  
APPLICATIONS



FREEZER PUMP UNIT



HOT DIPPED GALVANIZED FRAME



SOLID NYLON WHEELS  
AND ROLLERS



STAINLESS STEEL COMPONENTS



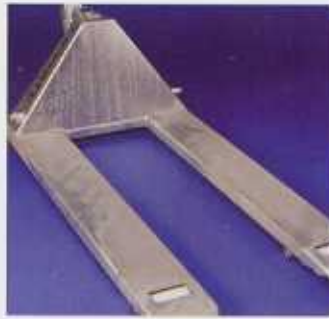
**LIAFFRITE**®

## FEATURES OF THE FREEZER SPECIAL HAND PALLET TRUCKS



### Freezer Pump Unit

External components are Cadmium plated to protect from condensation and Low temperature hydraulic fluid prevents freezing.



### Hot Dipped Galvanized Frame

Galvanizing process gives durable corrosion protection that stands up to the constant abrasion of pallet entry and exit.



### Nylon Wheels and Rollers with shielded ball bearings

Solid nylon provides a durable rolling surface that will not wear prematurely in applications with extreme temperature changes.

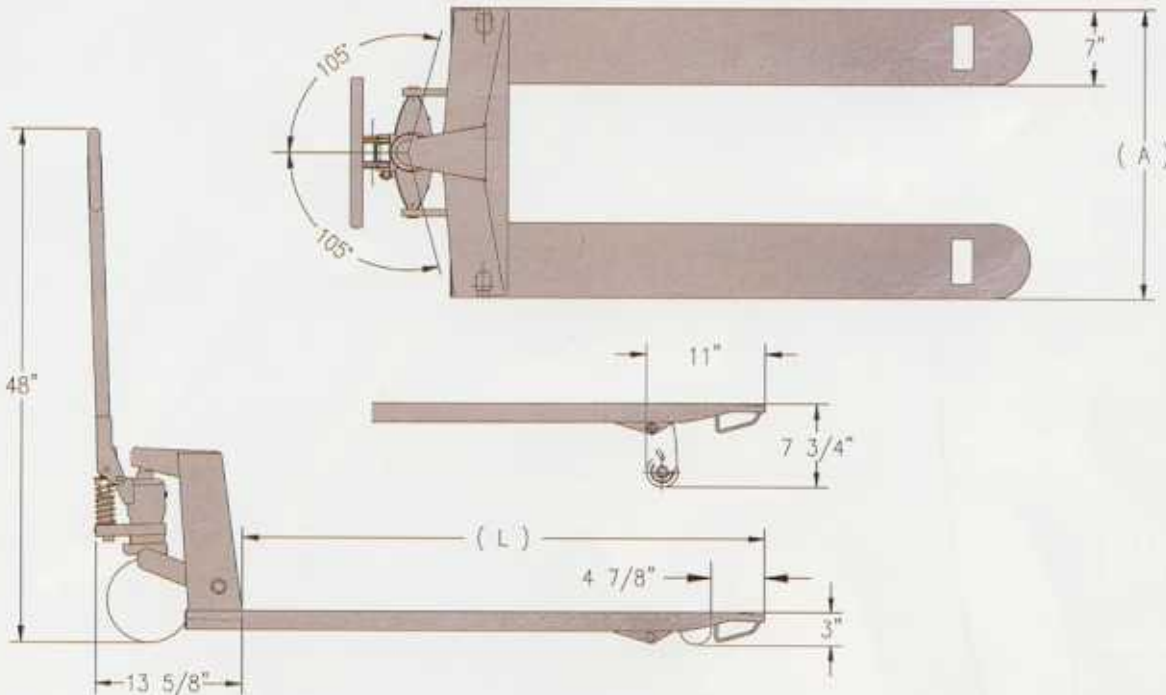


### Stainless Steel Components

The pump pistons and fork pins are critical components that require the full corrosion resistance of high quality Stainless Steel.

### Freezer Special – Model L55F – 3" Fork lowered height

MODEL No.	CAPACITY (LBS.)	FRAME WIDTH (A) (IN.)	FORK LENGTH (L) (IN.)	FORK WIDTH (IN.)	WEIGHT (LBS.)
L55F-A36	5,500	27	36	7	149
L55F-A42	5,500	27	42	7	158
L55F-A48	5,500	27	48	7	167
L55F-B36	5,500	20.5	36	7	141
L55F-B42	5,500	20.5	42	7	150
L55F-B48	5,500	20.5	48	7	159



Other Lift-Rite model Hand pallet trucks available (Refer to Applications brochures for Specifications)

Standard Series – Model LR2055 – 3" Fork lowered height

Low / Ultralow Profile Series – Models L50M / L50MU – 2" / 1-3/4" Fork lowered height

Four Way Series – Models L50M-4WAY / L50MU-4WAY – Four way pallet entry trucks

Please contact your Authorized LIFT-RITE Dealer for special fork widths and lengths.

# LIFT-RITE®

Due to LIFT-RITE'S continuing product development program, specifications are subject to change without notice. Contact your Authorized LIFT-RITE Dealer to confirm the most recent specifications.